

# Sample and Vent Valves



The sample and vent valves for stainless steel filter housings are engineered for cleanliness and ease of use. The valves are constructed of 316L stainless steel for excellent resistance to corrosive chemicals and to ensure product purity. They are machined to a <20Ra finish. Each valve comes with it's own serial number, material certificates and certificate of compliance.

The valves come in both in-line and 90 degree models. Additional assemblies come with a pressure gauge, tee fitting and valve for ease of use. The output fitting on the valve is a hose barb to make quick attachments with a hose to vent or take samples. The design of the unit minimizes dead space for possible contamination build-up between usage. The valve has a limited stem travel for safety and valve protection. The knob is made out of Delrin®, a material from DuPont, which is durable, low wear, low friction plastic, ideal for this application.

The newest release are the inline sampler with a constant flow throw purge. The liquid is pulled from the middle of the stream for sampling. The sample tube is constantly being flushed through by the moving fluid pressure and exiting a small hole on the down stream side right before the Ferrule, NPT or Weld connection to the tubing.



PN # OFSVILF  
Inline 1/2" Tri-clamp



Example: Cross section of pipe with flow through purge valve

### Materials of Construction

- Body: 316L Stainless Steel
- Knob: Solid Delrin Knob
- O-Rings: Silicone, Teflon (optional)

### Connections

- Inlet: Tri-clamp, Ferrule, NPT, Butt Weld
- Outlet: 3/8" Hose Barb

### Finish

Machined <20Ra

### Operating Conditions

Max operating pressure: 400 psi (27 bar) at 200°F (93°C)

Applications	
Filter Housings	Tanks
Product Sampling	Product testing
Pressure Vessels	Day Tanks

### A few examples of options - See back for more details



PN # OFSV90F-2  
90 Degree 2" Ferrule



1 1/2" Triclamp Spool  
w/ Valve



PN # OFSV90F  
90 Degree 1/2" Ferrule



PN # OFSVILF-2-2EXT  
Inline 2" Triclamp  
w/ 2" Extension



PN # OFSVILN-2EXT  
Inline 1/4" NPT  
w/ 2" Extension



PN # OFSVILN  
Inline 1/4" NPT



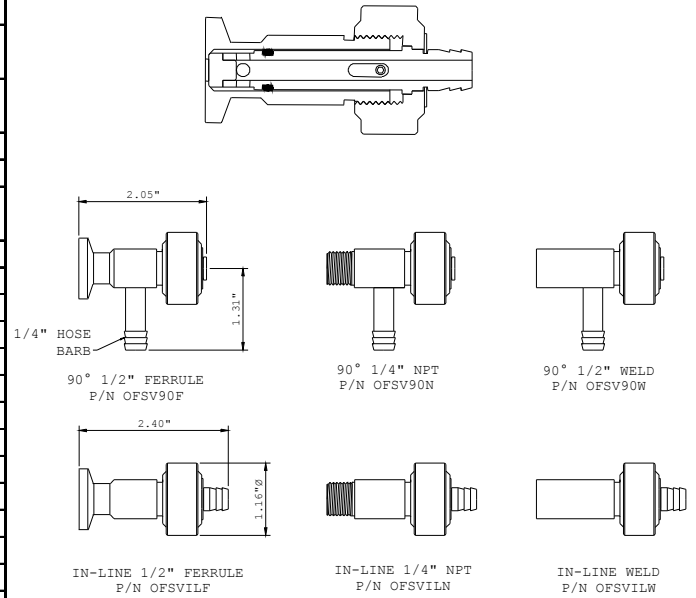
PN # OFSVILW-2EXT  
Inline Weld Body  
w/ 2" Extension



PN # OFSVILF1.13 EXT  
Inline 1/2" Tri-clamp with 1  
1/8" Extension

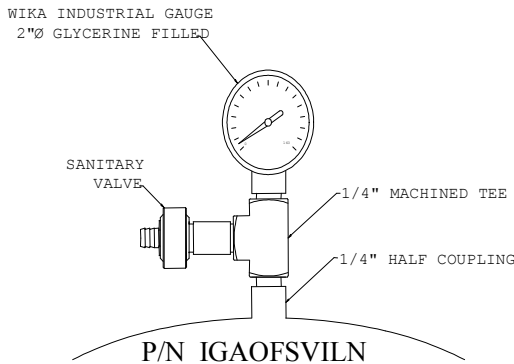
# Sample and Vent Valves

PART NUMBER	VALVE DESCRIPTION
OFSVILF	Inline 1/2" Ferrule
OFSVILF-1.13EXT	Inline 1/2" Ferrule w/ 1 1/8" Stem Extension for 1 1/2" & Smaller Tube Run
OFSVILF-2EXT	Inline 1/2" Ferrule w/ 2" Stem Extension for 2" & Larger Tube Run
OFSV90F	90 Degree 1/2" Ferrule
OFSVILF-1	Inline 1 - 1 1/2" Ferrule
OFSVILF-1-1.13EXT	Inline 1 - 1 1/2" Ferrule w/ 1 1/8" Stem Extension
OFSVILF-1-2EXT	Inline 1 - 1 1/2" Ferrule w/ 2" Stem Extension
OFSV90F-1	90 Degree 1 - 1 1/2" Ferrule
OFSVILF-2	Inline 2" Ferrule
OFSVILF-2-1.13EXT	Inline 2" Ferrule w/ 1 1/8" Stem Extension
OFSVILF-2-2EXT	Inline 2" Ferrule w/ 2" Stem Extension
OFSV90F-2	90 Degree 2" Ferrule
OFSVILN	Inline 1/4" NPT
OFSVILN-1.13EXT	Inline 1/4" NPT w/ 1 1/8" Stem Extension
OFSVILN-2EXT	Inline 1/4" NPT w/ 2" Stem Extension
OFSV90N	90 Degree 1/4" NPT
OFSVILW	Inline Weld Body
OFSVILW-1.13EXT	Inline Weld Body w/ 1 1/8" Stem Extension
OFSVILW-2EXT	Inline Weld Body w/ 2" Stem Extension
<b>CUSTOM CONFIGURATIONS OF 90 DEGREE VALVES W/</b>	



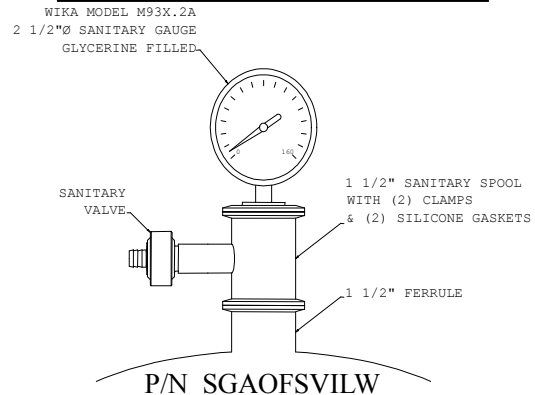
## Additional Assembly Options

### Industrial Pressure Gauge and Vent Valve Assembly



- 100-160 PSI Pressure Gauge
- 316L Stainless Steel
- Sanitary Vent/Sample Valve
- Machined 1/4" NPT Tee

### Sanitary Pressure Gauge and Vent Valve Assembly



- 100-160 PSI Pressure Gauge
- 316L Stainless Steel
- Sanitary Vent/Sample Valve
- 1 1/2" Electropolished Tri-Clamp Spool
- (2) Silicone Gaskets & (2) SS Clamps

**Your Local Distributor:**

**Please Visit Us At:**

[www.jalttechnologies.com](http://www.jalttechnologies.com)

**P.O. Box 597**

**Manassas, VA 20108**

**703-335-9910**

JALT Technologies is a registered trademark of JALT Technologies, LLC. Copyright 2005. All rights reserved. Viton is a registered trademark of DuPont Dow Elastomers. Delrin is a registered trademark of DuPont. Wika is a registered trademark of Wika Instrument Corp.