



Handheld Particle Counter KR-11A/11B

〈HHPC-2〉

**Affordable Handheld Particle Counter
Allows Easy Measurement Anywhere Anytime**



Great for:

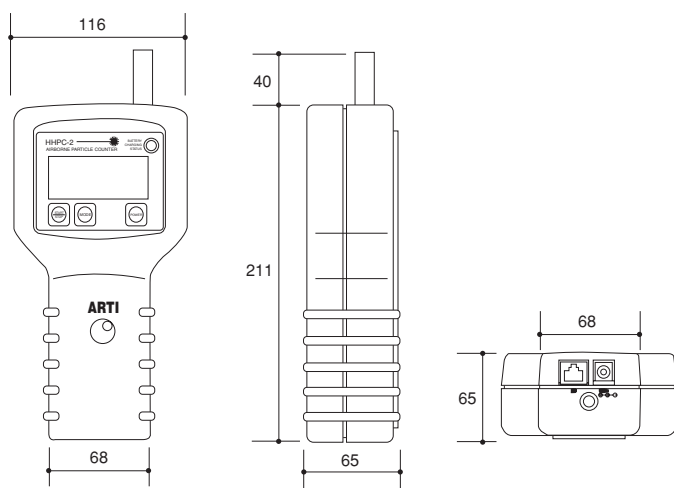
- Environmental control in foodstuff manufacturing/packing
- Cleanliness monitoring in pharmaceutical manufacturing and hospitals

- Compact body, simple operation, easy to read display
- Two particle size channels
 - KR-11A:** $\geq 0.3 \mu\text{m}$, $\geq 0.5 \mu\text{m}$
 - KR-11B:** $\geq 0.5 \mu\text{m}$, $\geq 5.0 \mu\text{m}$
- Rechargeable battery provides up to 8 hours of continuous operation (charge time 2 hours)
- Buffer function allows storing and redisplay of up to 100 measurement data sets

Specifications

Optical system	Sideway light-scattering method	
Light source	Laser diode (wavelength 790 nm, maximum output 50 mW)	
Laser product class	Class 1, IEC 60825-1/EN 60825-1	
Light detector	Photodiode	
Sample flow rate	2.83 L/min	
Particle size (2 channels)		
KR-11A	≥ 0.3 μm, ≥ 0.5 μm	
KR-11B	≥ 0.5 μm, ≥ 5.0 μm	
Maximum particle concentration	70 000 particles/L (coincidence loss max. 5 %) is shown	
Measurement modes		
Rate mode	Cumulative count of preceding 10 seconds is used to calculate and number of particles per unit volume (L or CF) is shown	
Totalize mode	Measurement is carried out automatically for a specified sample volume and cumulative count is shown	
Concentration mode	Measurement is carried out automatically for a specified sample volume and number of particles per unit volume (L or CF) is shown	
Buffer function	Store and recall values for up to 100 measurements	
Input/output connector	Serial interface	
Power requirements	Built-in battery or AC adapter	
Battery	Rechargeable nickel metal hydride (Ni-MH) battery (continuous operation time approx. 8 hours) Charged from supplied AC adapter when power is ON (charge time 2 hours)	
AC adapter	Input voltage: 100 to 240 V AC, 50/60 Hz	
Dimensions and weight	211(H) × 116(W) × 65(D) mm (excluding protruding parts), approx. 1 kg	
Supplied Accessories	AC adapter × 1	Carrying case × 1
	Power cord × 1	Zero count filter × 1
	1/8 inch tube joint × 1	Hand strap × 1
	1/8 inch tube × 1	

External Dimensions (Unit: mm)

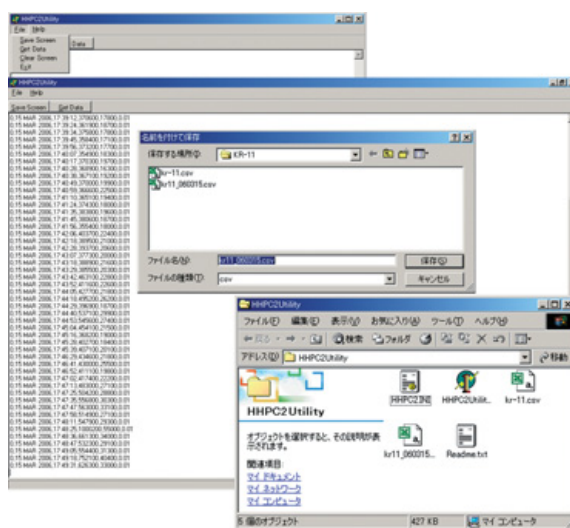


* Company names and product names mentioned in this catalog are usually trademarks or registered trademarks of their respective owners.
* Specification subject to change without notice.

RION CO., LTD.
 3-20-41, Higashimotomachi, Kokubunji, Tokyo 185-8533, Japan
 Tel: +81-42-359-7878 Fax: +81-42-359-7458
<http://www.rion.co.jp/english/>

CSV Download Utility KRSA1376 Option

Allows downloading measurement data stored in KR-11A/11B to a computer in CSV format.



- Allows data processing using spreadsheet applications such as Microsoft Excel etc.
- Connection cable supplied

Supported operating systems: Microsoft Windows 2000/XP

Printer DPU-414 Option

(Seiko Instruments)

For printout of measurement data. Battery driven operation supported.



```

** SENSOR CAL ALARM **
05 JAN 2000 01:10:44
0.3um = 51000/CF
0.5um = 29400/CF

** SENSOR CAL ALARM **
05 JAN 2000 01:10:47
0.3um = 311400/CF
0.5um = 20400/CF

** SENSOR CAL ALARM **
05 JAN 2000 01:10:50
0.3um = 136800/CF
0.5um = 10200/CF
    
```

Sample printout (KR-11A)

Specifications

Printing principle	Thermal transfer serial dot matrix
Printing width	40 characters
Interface	RS-232C
Power requirements	Supplied AC adapter (100 V to 250 V) or built-in battery operation
Dimensions and weight	66.5 (H) × 160 (W) × 170 (D) mm, approx. 0.7 kg

Options

Printer cable for KR-11/12A	KR121000
Thermal printer paper	TP-14 (6 rolls per pack, roll size 112 mm × 28 m)
Clean printer paper	TP-26 (6 rolls per pack, roll size 112 mm × 28 m)



ISO 14001 RION CO., LTD.
 ISO 9001 RION CO., LTD.

Distributed by:

