

Facility Monitoring Particle Counter [FMPC] **KR-02A, 02B, 02C**

Ultra compact size ideal for facility multi-point monitoring



*This product does not include a vacuum source, power supply, or display.
It must be used in conjunction with suitable external devices.*

Compact -- Lightweight -- Inexpensive -- Versatile Options -- Outstanding Software

- Easy configuration of multi-point monitoring system
- Ultra compact, low-priced facility monitoring particle counter <FMPC>
- Suitable for clean-room multi-point monitoring, processing equipment monitoring, and other dust particle monitoring applications
- Two sensitivity settings: 0.3 and 0.5 μm . Flow rate 2.83 L/minute
- Available software includes LMS <KR-02A/02B>, KF-02A <KR-02C>, RP Monitor <KR-02A/02C>

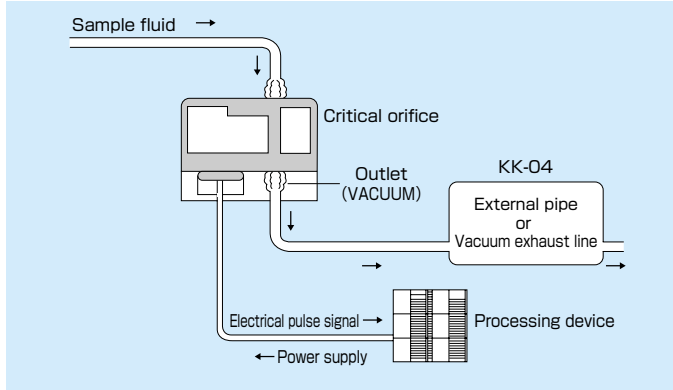




For remote monitoring in environments where air purity is highly critical

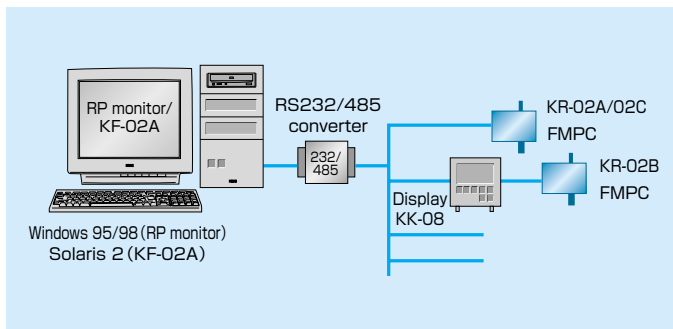
Facility Monitoring Particle Counter [FMPC] KR-02A, 02B, 02C

FMPC KR-02B connection example



The unit requires external vacuum source, power supply and display.

RP Monitor and KF-02A system example

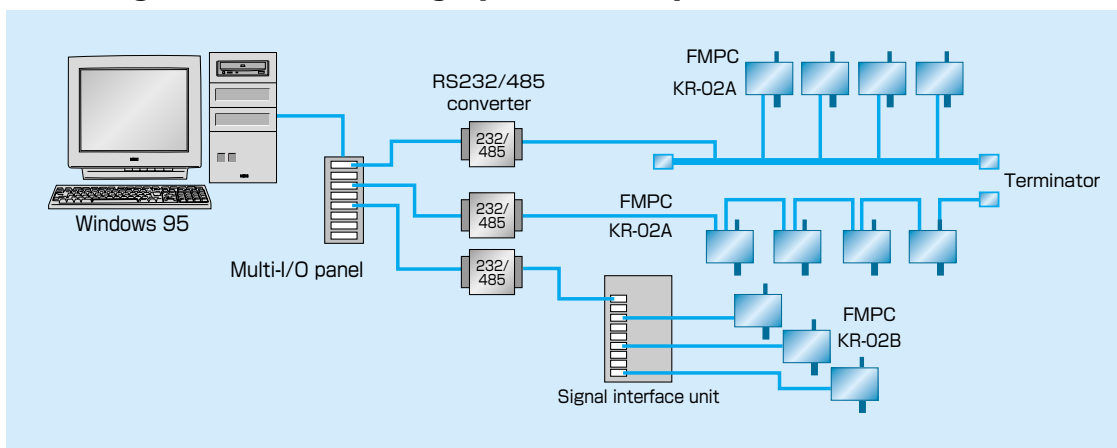


Specifications

- Light source: Laser Diode (maximum output 50 mW, wavelength 780 nm)
- MTBF: >36 000 hours (at 25°C)
- Light detector: PIN Photodiode
- Allowable sample: Air and inert gas
- Flow rate: 2.83 L/min
- Sample flow control: Via critical orifice connected vacuum source with min. -60 kPa (gauge pressure)
- Minimum measurable particle size: 0.3 μm (for particles with refractive index 1.6)
- Particle size measurement ranges: 2 channels
Channel 1: ≥0.3 μm
Channel 2: ≥0.5 μm
- Zero Count: ≤ one count/five minutes
- Maximum particle concentration: 70000 particles/L (coincidence loss 5%)
- Tube connectors:
Inlet: Outer diameter 1/8 inch (approx. 3.18 mm)
Outlet: Outer diameter 1/4 inch (approx. 6.35 mm)
- Interface: *KR-02A: RS-485
KR-02B: Balanced pulse signal
KR-02C: RION Interface for multi-point system
- Connector: RJ-45
- Power requirements: 9 - 28 VDC, 2.4 VA
- Ambient condition for operation: 10 to 40°C, 20 to 95% R.H. (no condensation)
- Dimensions: 107(W) × 52 (H) × 42 (D) mm (without protruding parts)
- Weight: Approx. 340 g

* Do not connect KR-02A with RION's KA-series and/or KS-series on the same line. If it is connected, failure will occur in the network.

LMS large-scale monitoring system example



Specifications subject to change without notice.

ARTI is the brand name of another line of products handled by RION.



20-41, Higashimotomachi 3-chome, Kokubunji, Tokyo 185-8533, Japan
Telephone: +81-42-359-7878 Fax: +81-42-359-7458
URL : <http://www.rion.co.jp> E-mail: info@rion.co.jp

Distributed by:

