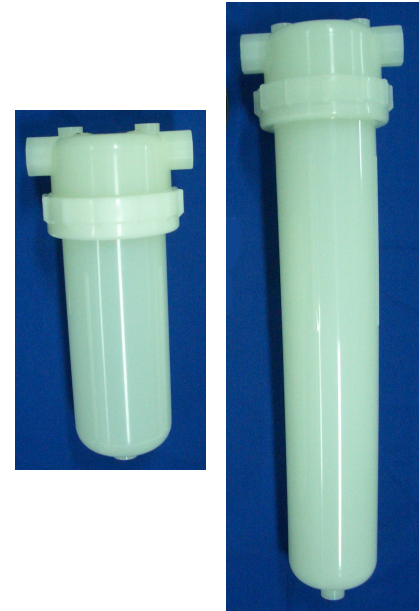


# Virgin Polypropylene Housing

ZenPure Virgin Polypropylene Housings have been specially designed for critical applications that require a high degree of cleanliness. No metal components are used in the construction of the housing therefore eliminating the potential for ionic or metallic contamination. In addition, the locking ring and housing threads are external to the housing (non-wetted surface) thereby reducing the potential for particles being generated as the surfaces are tightened or loosened.

ZenPure Virgin Polypropylene Housings are offered in 10” to 30” lengths and will accept filter cartridges with 2-222 o-rings. The compact design of the housings requires minimal installation space while reducing hold-up volume. ZenPure Virgin Polypropylene Housings can withstand high operating pressures and are an economic alternative to metal housings.



Applications	
Solvents	Ink Jets
Fine Chemicals	Electronics
Plating Solutions	Pharmaceuticals
Process Water	Biologics
Beverages	Dyes
Parts Cleaning	Lacquers

### Materials of Construction

- Head: Virgin Polypropylene
- Bowl: Virgin Polypropylene
- Locking Ring: Polypropylene
- Vent / Drain Plugs: Virgin Polypropylene
- O-Rings: Silicone, EPDM

### Maximum Operating Pressure

- 100 psig (6.9Bar) @ 125F (52° C)
- 125 psig (8.6 Bar) @ 68F (20° C)

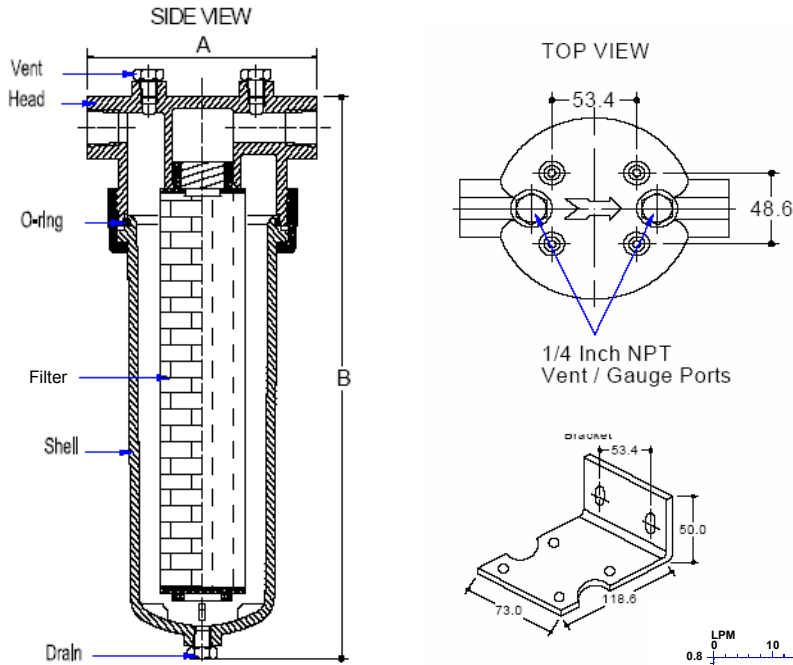
Lengths (Nominal): 10 in., 20 in., 30in

Inlet / Outlet Connections: 3/4” NPT, 1” NPT

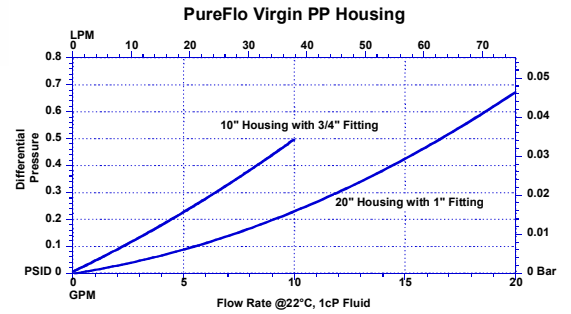
Features	Benefits
<ul style="list-style-type: none"> <li>■ Small Compact Design</li> </ul>	<ul style="list-style-type: none"> <li>■ Low hold-up volume</li> <li>■ Minimal installation space required</li> </ul>
<ul style="list-style-type: none"> <li>■ 100% Polypropylene Construction</li> </ul>	<ul style="list-style-type: none"> <li>■ Eliminates the potential for metallic or ionic contamination</li> <li>■ Provides excellent compatibility with a wide range of fluids</li> <li>■ Economic alternative to metal housings</li> </ul>
<ul style="list-style-type: none"> <li>■ External Locking Ring</li> </ul>	<ul style="list-style-type: none"> <li>■ Provides a robust and consistent seal</li> <li>■ Able to withstand high operating pressures</li> <li>■ Reduces the potential for particles being generated as the mat-ing surfaces are being tightened or loosened</li> </ul>

# Virgin Polypropylene Housing

ZenPure



Nominal Length	A	B
10"	165mm (6.5in")	354mm (13.9")
20"	165mm (6.5in")	603mm (23.7")



## Virgin Polypropylene Ordering Guide

Housing Construction	Material	Configuration	Cartridge Code	Housing Length	Vent / Drain Connections	Body Style	Inlet / Outlet Connections	O-Ring Materials
PH = Plastic Housing	V = Virgin PP	01 = 1 Round	0 = 2-222	10 = 10" 20 = 20" 30 = 30"	P = 1/4" FNPT	T = T Line	G = 3/4" FNPT * H = 1" FNPT **	E = EPDM S = Silicone

\* 10" Length Only

\*\* 20 and 30" Length Only

Example – 10", Virgin Polypro Housing, with 2-222 EPDM O-Rings and 1" FNPT inlet and outlet connections would be PHV01010PTHE

**Your Local Distributor:**

**Please Visit Us At:**

[www.jalttechnologies.com](http://www.jalttechnologies.com)

**P.O. Box 597**

**Manassas, VA 20108**

**703-335-9910**

JALT Technologies is a registered trademark of JALT Technologies, LLC. ZenPure and PureFlo are registered trademarks of ZenPure Corporation or an affiliated company. Copyright 2003 ZenPure or an affiliated company. All rights reserved. Viton is a registered trademark of DuPont Dow Elastomers.

ZenPure